



# **SYLVAN**

AUTOMATION LTD

*Proven Solutions, Personalized Service*





# INSTRUMENTATION



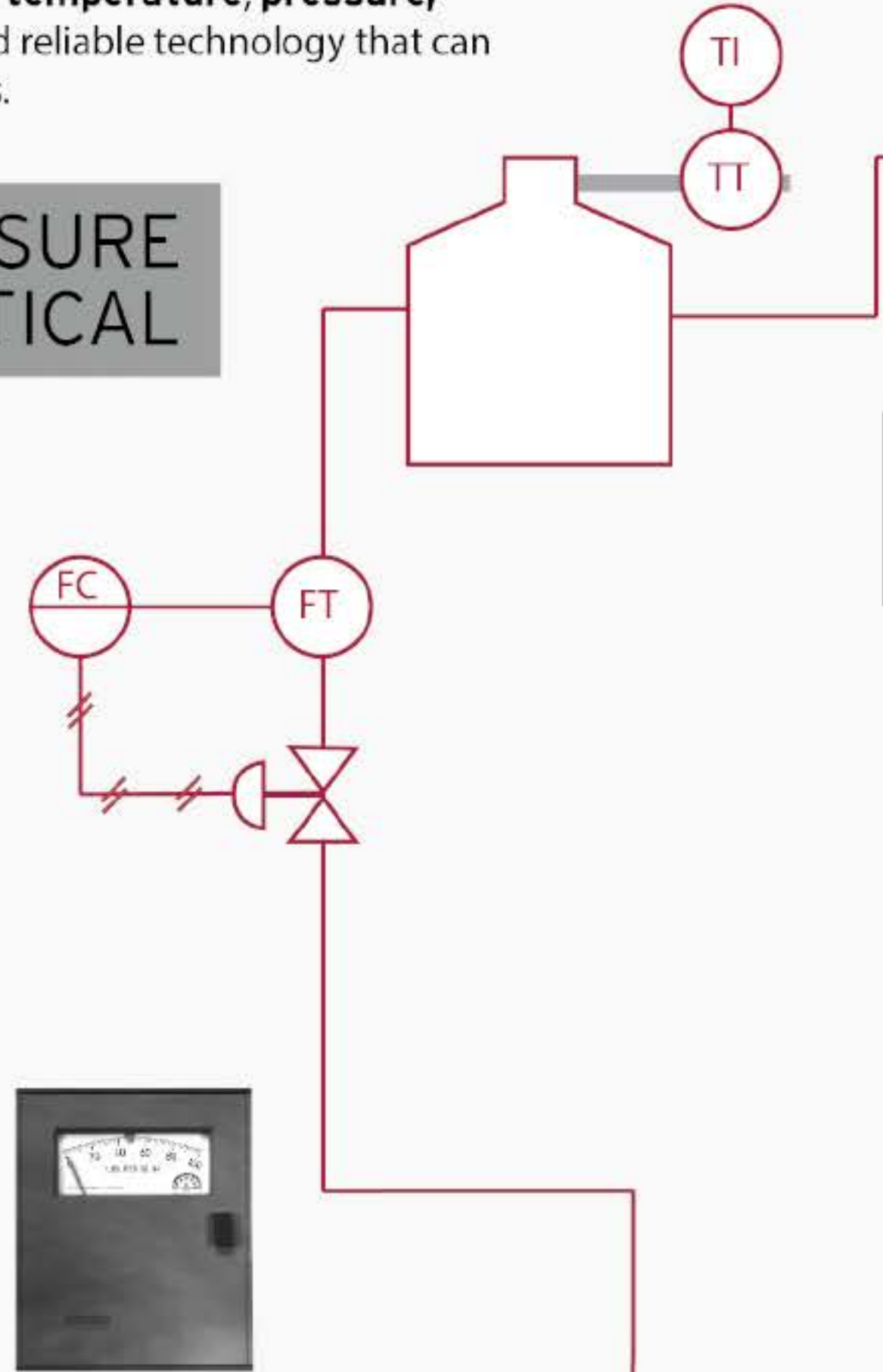
Representing worldwide leaders in instrumentation, we offer a variety of high-performance instruments to measure **flow, temperature, pressure, level** and **analytical** variables with accurate and reliable technology that can positively impact the performance of your assets.

## FLOW, TEMPERATURE, PRESSURE & ANALYTICAL

### Foxboro

**Foxboro** Field Devices offer high accuracy, long term stability and field-proven robustness in the toughest applications that require high-performance measurement of pressure, temperature, flow, level and analytical variables.

**Foxboro** products are shaped by more than 100 years of experience in industries such as chemical, oil & gas, power generation, food, paper, mining and more.



## LEVEL

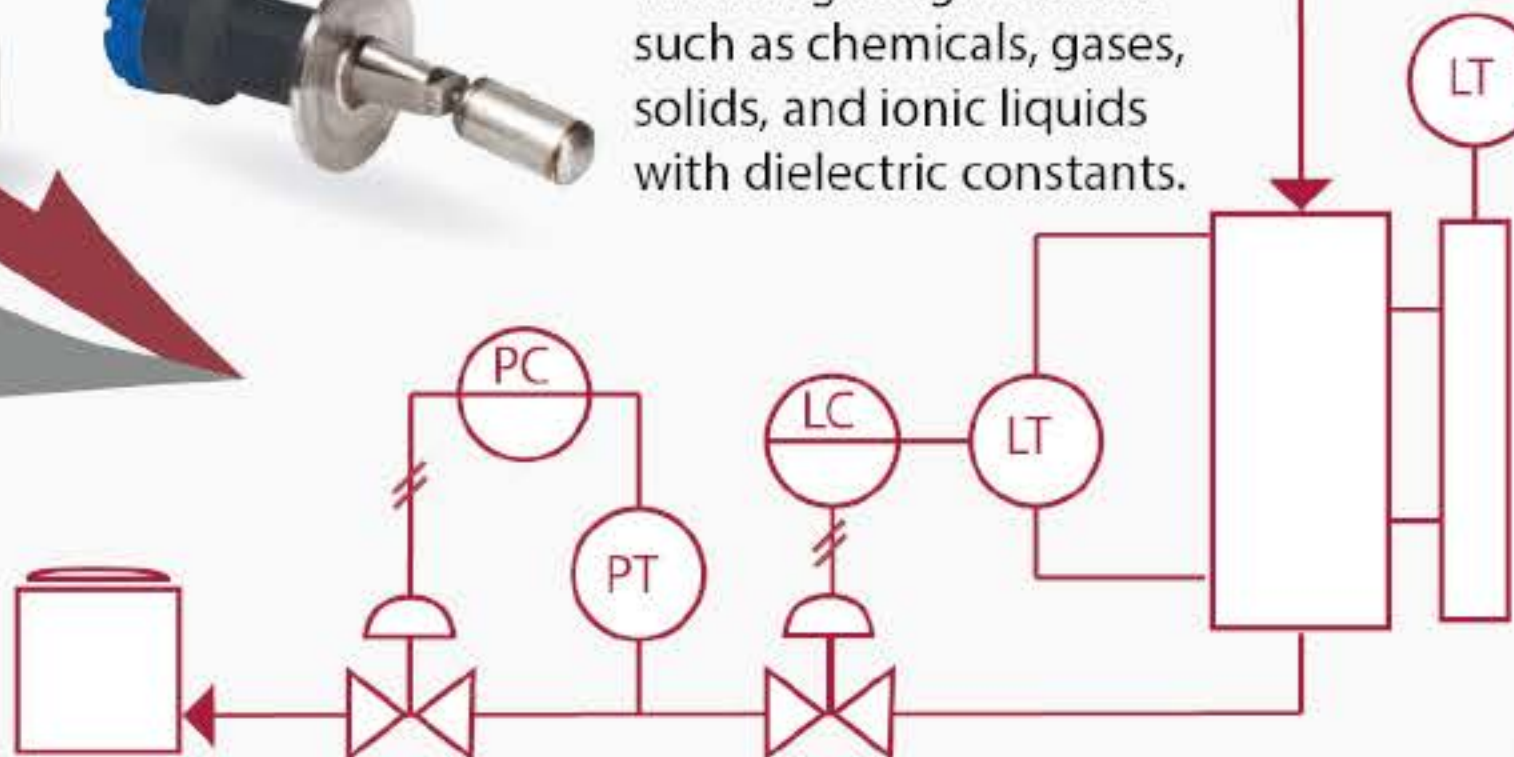
### Magnetrol

**Magnetrol's** technology addresses a wide range of level and flow control challenges. Their instrumentation products monitor and control a variety of applications, involving tough medias such as chemicals, gases, solids, and ionic liquids with dielectric constants.



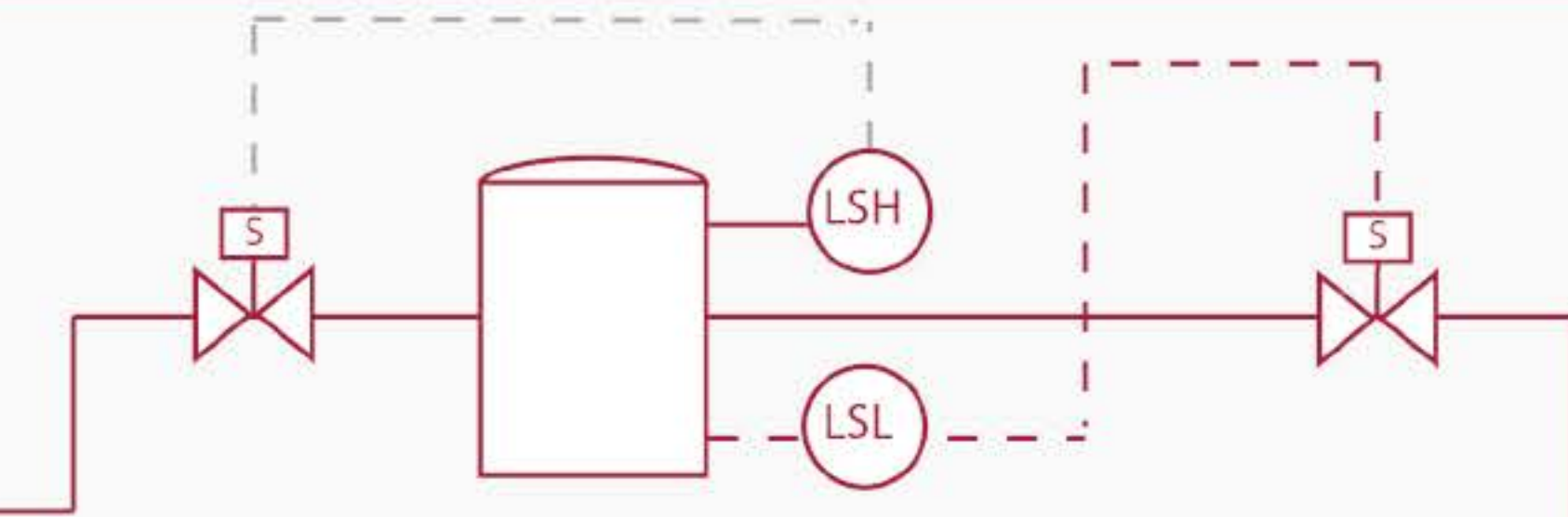
### Orion

**Orion** instruments specializes in high-visibility magnetic level indication, high-accuracy magnetostrictive and guided wave level transmitters. You'll also find a variety of other accessory items that can be included to expand the overall capability of your instrumentation.





# AUTOMATION & CONTROL



## LINEAR CONTROL VALVES

### Flowserve

**Flowserve** is a leading manufacturer of industrial valves with a very comprehensive product offering. Whether it's critical, lethal, toxic or aggressive, you'll find **Flowserve** valves performing around the world.

**Flowserve's** vast portfolio includes **Kammer & Valtek** for a variety of specialty configurations.



## ROTARY CONTROL VALVES

### Metso

**Neles** products include flanged ball valves, rotary plug control valves, segment ball control valves, and high-performance butterfly valves. Special trims for noise and cavitation abatement are available for gas, vapor, steam and liquid applications.

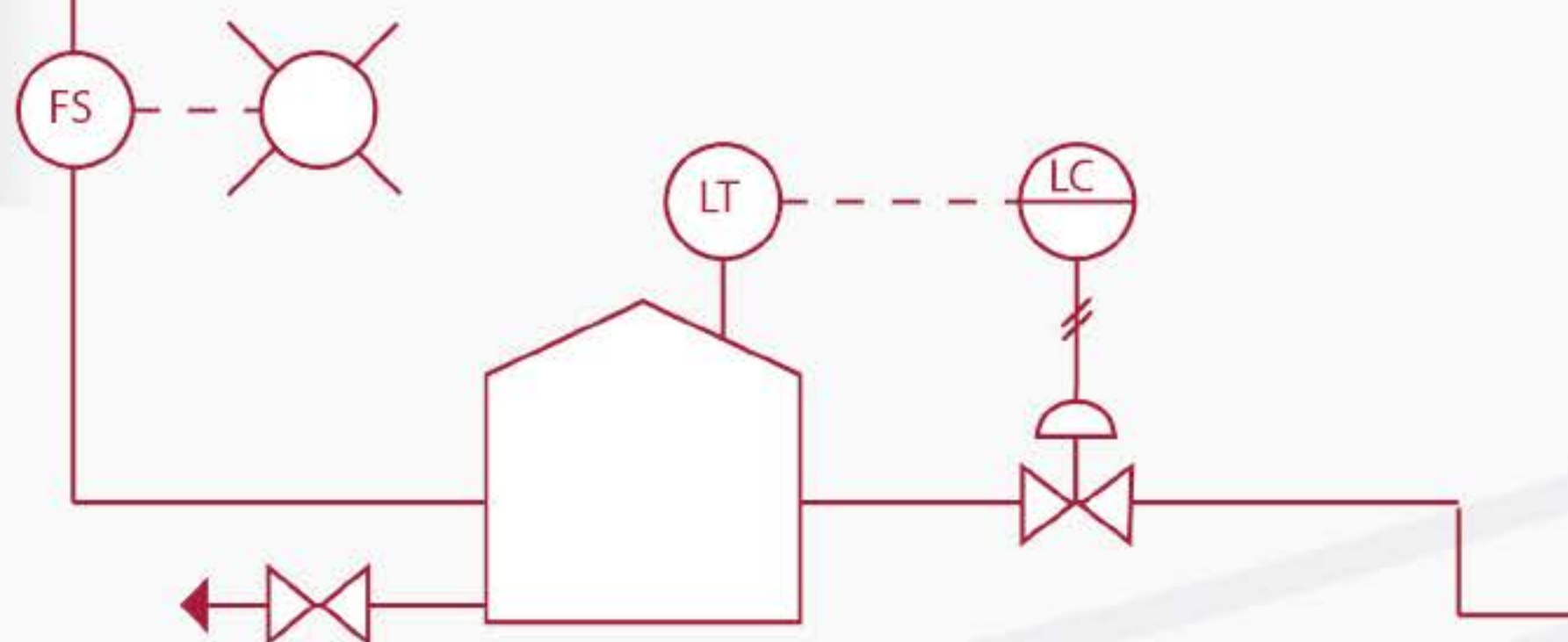
**Jamesbury** branded products are known for their long history of innovation and proven reliability. Products include flanged ball valves, Value-Line® threaded ball valves, emission control valves, high-performance butterfly valves, special service valves, and ball and butterfly valve actuators and accessories.



## COMMUNICATION

### StoneL

**StoneL** is a leading supplier of valve communication solutions for the process industries. By integrating automated valves using **StoneL's** valve communication and process networking platforms, customers will realize improved process performance and reduced life cycle costs.



## ACTUATORS & POSITIONERS

**Metso's** electric and pneumatic actuators offer extremely long life cycles and are well suited to operate almost any type of valve.





# MANUAL VALVES & ACCESSORIES

## MANUAL VALVES/ ON-OFF ASSEMBLIES



**Sylvan Automation Ltd** offers a variety of ball, butterfly, gate, globe, and check valves that exceed all industry requirements. Leading brands ideal for the downstream market comply with the design and test requirements of ANSI B16.34 and the installation dimensions of ANSI B16.10.



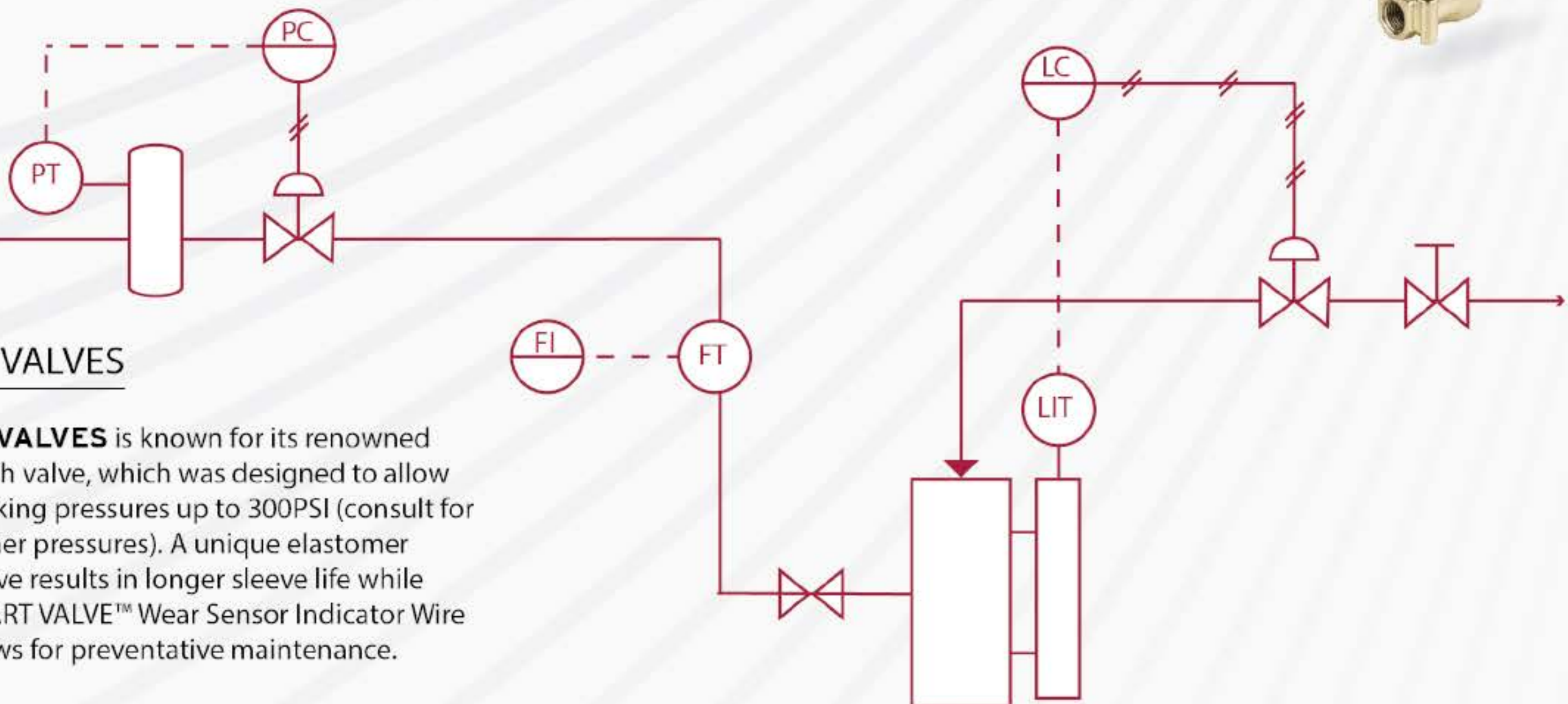
## ACCESSORIES

**Sylvan Automation Ltd** provides accessories to support valve automation, such as solenoid and quick exhaust valves from **ASCO** and **Versa**, as well as a full range of **SSP** instrumentation fittings.



## RF VALVES

**RF VALVES** is known for its renowned pinch valve, which was designed to allow working pressures up to 300PSI (consult for higher pressures). A unique elastomer sleeve results in longer sleeve life while SMART VALVE™ Wear Sensor Indicator Wire allows for preventative maintenance.





# PRODUCT LINES

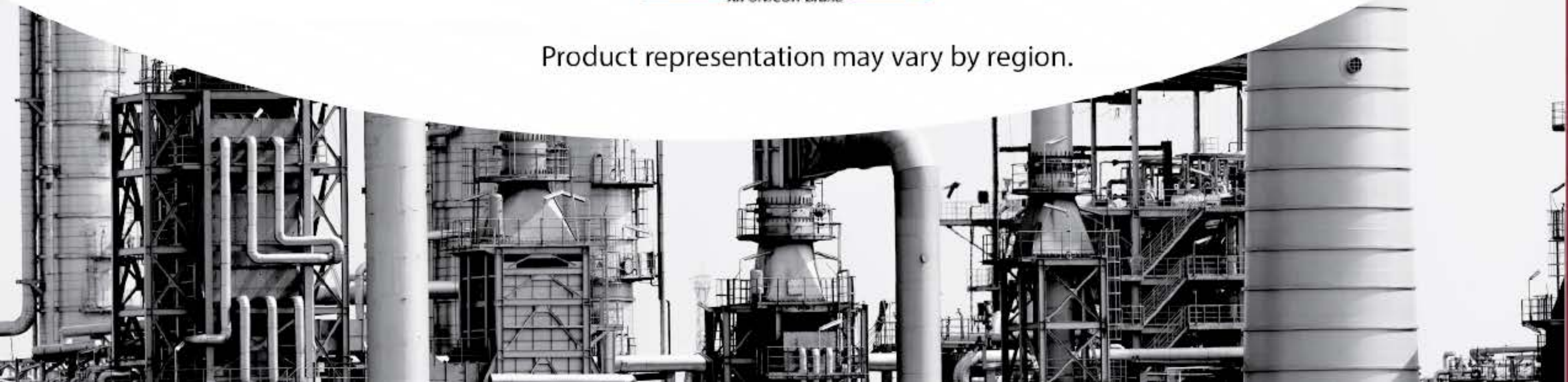


Life Is On

Foxboro  
by Schneider Electric



Product representation may vary by region.





## OUR SERVICES

The dedicated staff at **Sylvan Automation** works with you to provide the correct product for your individual requirements. Automatic on/off and control valves are configured, assembled and calibrated by qualified assembly technicians according to our ISO9001 quality program, procedures and processes.

- In-house and on-site valve and instrument repair
- Automated Valve Assembly
- CAD Services
- Parts Blasting and Painting
- Control Valve Sizing
- B149, 3 Gas Code Consultation
- Field Services
- Turn-key Project Management

Available 24/7 for any emergency requirements

**Sylvan Automation Ltd** offers proven solutions in valve automation, instruments and control; we support our clients throughout the stages of the automation process, with customizable solutions and OEM supported repair services.

With more than 19 years in the process automation industry, **Sylvan Automation Ltd** prides itself on its reliability and professionalism. Committed to the highest standards of quality, customer service and safety, we continuously invest in assuring the best results for our customers.

## INDUSTRIES WE SERVE

Petro-Chemical  
Refining  
Steel  
Mining

Power Generation  
Air Separation  
Water Treatment  
Pulp & Paper

Municipal  
Biotech  
Food & Beverage

Pharmaceutical  
General Contractors



SAULT STE. MARIE  
1018 McNabb Street  
Sault Ste. Marie, ON  
P6B 6J1  
T: (705) 254-4669

SARNIA  
1129 Vanier Road  
Sarnia, ON  
N7S 3Y6  
T: (519) 332-5000

OAKVILLE  
2320 Bristol Circle, Unit 1  
Oakville, ON  
L6H 5S3  
T: (905) 827-1900

[www.sylvanautomation.com](http://www.sylvanautomation.com)